



Ceiling and wall mountable without additional accessories

The HYUx.2 is a hybrid PL exit sign with a viewing distance of 16 metres.

The sign combines Ecoglo's internationally recognised energy storage panel technology - referred to as ECP (Energy Caching Panel), Class II LEDs, and next generation patented electronics. Requiring no battery backup, the internally illuminated PL (photoluminescent) exit sign is effective in all lighting scenarios, including emergency conditions, providing failsafe visibility.

COMPLIANCE

The Ecoglo HYUx.2 sign range has been independently* tested to show compliance with SA TS 5367 (Hybrid photoluminescent signage specification). This enables a Performance Solution to satisfy NCC Clause E4P2.

* Independently tested by WAVES Testing. Research and Consulting QLD, Australia 2022

PERFORMANCE

Provides a minimum of 90 minutes of visibility after failure of the main lighting.

INPUT

230/240 Vac, 50/60 Hz, Single and Double Sided Sign

RATED POWER CONSUMPTION

0.5W Single and Double Sided Sign

SUPPLY

HYUx.2 is supplied as a 16m maximum viewing distance exit sign.

Ordering information

PRODUCT CODE	BODY COLOUR	PRODUCT DESCRIPTION	MAXIMUM VIEWING DISTANCE
HYU1.2.WHT	White	Single sided hybrid sign	16 metres
HYU2.2.WHT	White	Double sided hybrid sign	16 metres
HYU1.2.BLK	Black	Single sided hybrid sign	16 metres
HYU2.2.BLK	Black	Double sided hybrid sign	16 metres
OPTIONAL EXTRAS			
BR3-CR.WHT	White	Ceiling recess bracket	N/A
BR3-FM.WHT	White	Flag mount bracket	N/A
BR3-CR.BLK	Black	Ceiling recess bracket	N/A
BR3-FM.BLK	Black	Flag mount bracket	N/A
BR3-EXHS.WHT	White	IP65 Weatherproof exit enclosure	N/A

Directional Decals

Signs are supplied with one or more RM, RML and RMR pictogram decals as shown below.

Text and other decals are available on request - contact Ecoglo for more details.



RM
Exit straight on from here



RML
Exit left from here



RMR
Exit right from here



Ecoglo International Ltd. is proud to have a Zero Carbon business operation.



PRODUCT FEATURES

- LED/ECP Exit Sign
- No batteries or backup power required for power outages
- High efficiency low power consumption LED charging source
- Long life LEDs (>100,000 hours)
- Works in all lighting scenarios - failsafe visibility
- Theatre/low light decal available

INTERNAL SPECIFICATIONS

AC LED: standard 230/240 VAC input

PRODUCT DIMENSIONS

Height: 221mm

Width: 362mm

Depth: 62mm

PRODUCT WEIGHT

Single Sided Sign: 1.30kg

Double Sided Sign: 1.45kg

PROTECTION RATING

IP44 - Splashproof

(Suitable for outdoor environments where there is overhead protection such as a building eave or canopy, but should not be installed in fully exposed outdoor locations.)

OPERATING TEMPERATURE RANGE

0°C to 40°C

When installed in our IP65 housing the operating temperature range is -20°C to +40°C

Contact Ecoglo for more details.

COMPREHENSIVE WARRANTY

15 years.

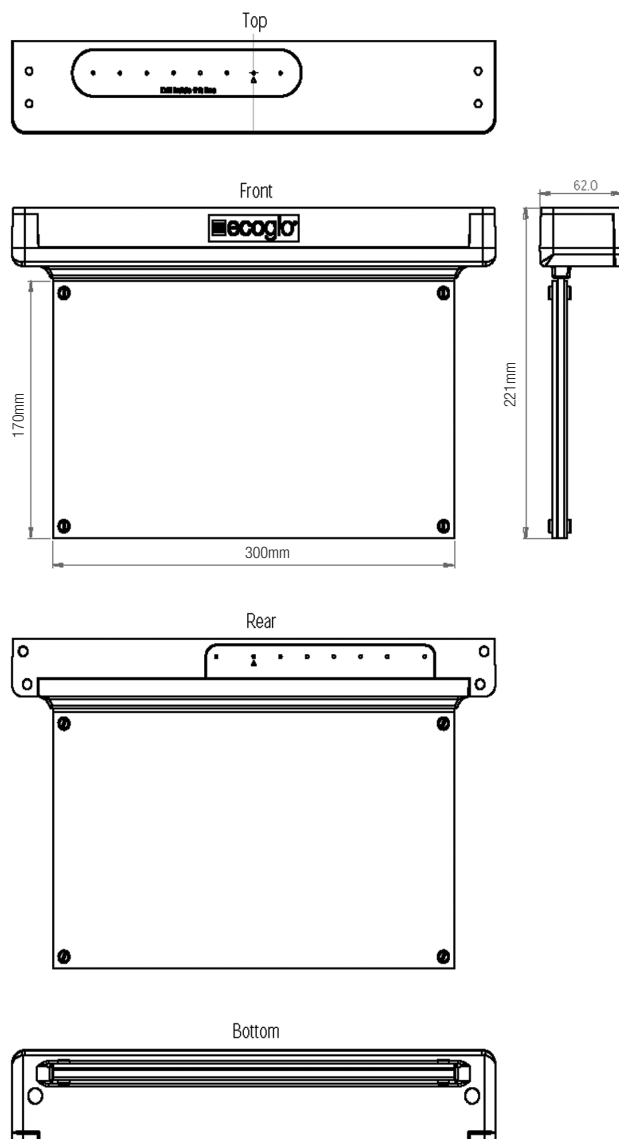
INSTALLATION

The sign can be fixed directly to the ceiling or wall using the moulded mounting holes on each end of the sign. Ceiling recess and flag mount installation kits, and IP65 weatherproof exit enclosures are also available (sold separately).

Installation needs to be carried out strictly in accordance with Ecoglo installation instructions.

Consult instructions on website for full details.

CEILING AND WALL MOUNT



Ecoglo International Ltd. is proud to have a Zero Carbon business operation.



Contact

Ecoglo Australia

Phone: +61 3 8691 5288

Email: Australia@ecoglo.com **Web:** www.ecoglo.com.au