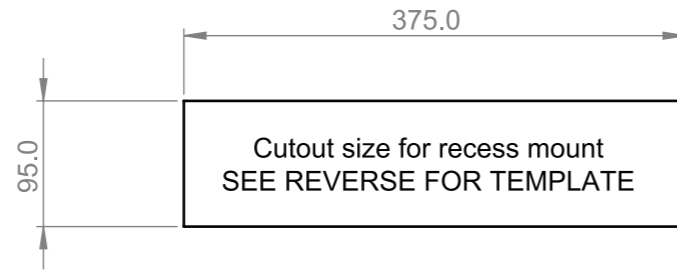


Making the Cutout in the Ceiling

- Determine the appropriate location of the sign.
- Mark out a hole size 375mm long and 94mm wide.
- Cut the hole and ensure edges are smooth.
- Pull the electrical cable down through the hole.

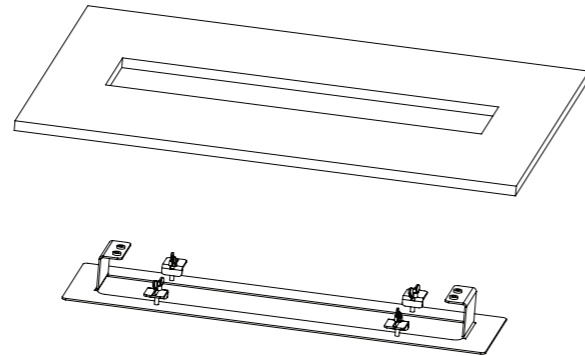
Important:

- Check there are no obstacles or cables above the marked area before cutting.
- Maximum ceiling thickness is 18mm.



Prepare the Bracket for Installation

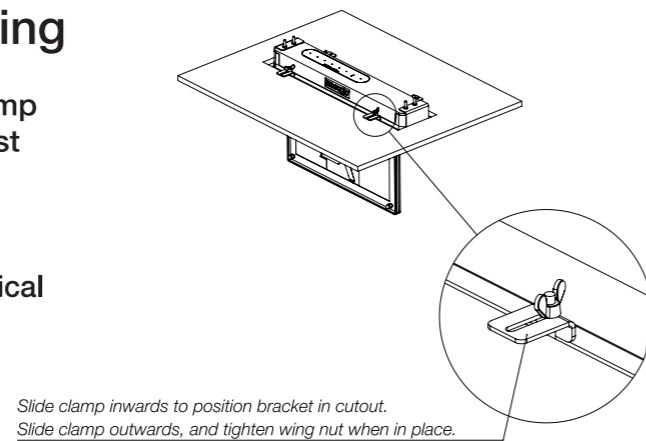
- Take the 4 clamp brackets and fit over the stand offs as shown.
- Loosely fasten the 4 wing nuts with a couple of turns on to the stand off.
- **Check orientation of the recess bracket - rounded side of the bracket must face the direction that the sign is required to face.**
- Make sure all clamps are pushed back within the outer perimeter of the bracket and push the bracket up into the cut out space in the ceiling with the electrical cable hanging through the bracket opening.



Mounting the Bracket to the Ceiling

- Reach up inside the bracket and push the 4 clamp brackets so that the short face is hard up against the edge of your cutout.
- Tighten down the 4 wing nuts on to the clamps.

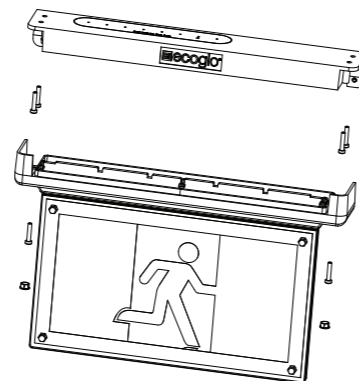
This completes the bracket installation and the electrical cable can now be attached to the top sign housing (refer to HYUX.2 installation instructions)



Fastening the Sign to the Bracket

- Check the top housing of the sign is orientated correctly and push it up into the bracket.
- Fasten the top housing to the bracket with the 4 included M4x10 machine screws.
- Now that the bracket and top housing is secure the blade assembly can be re-installed.

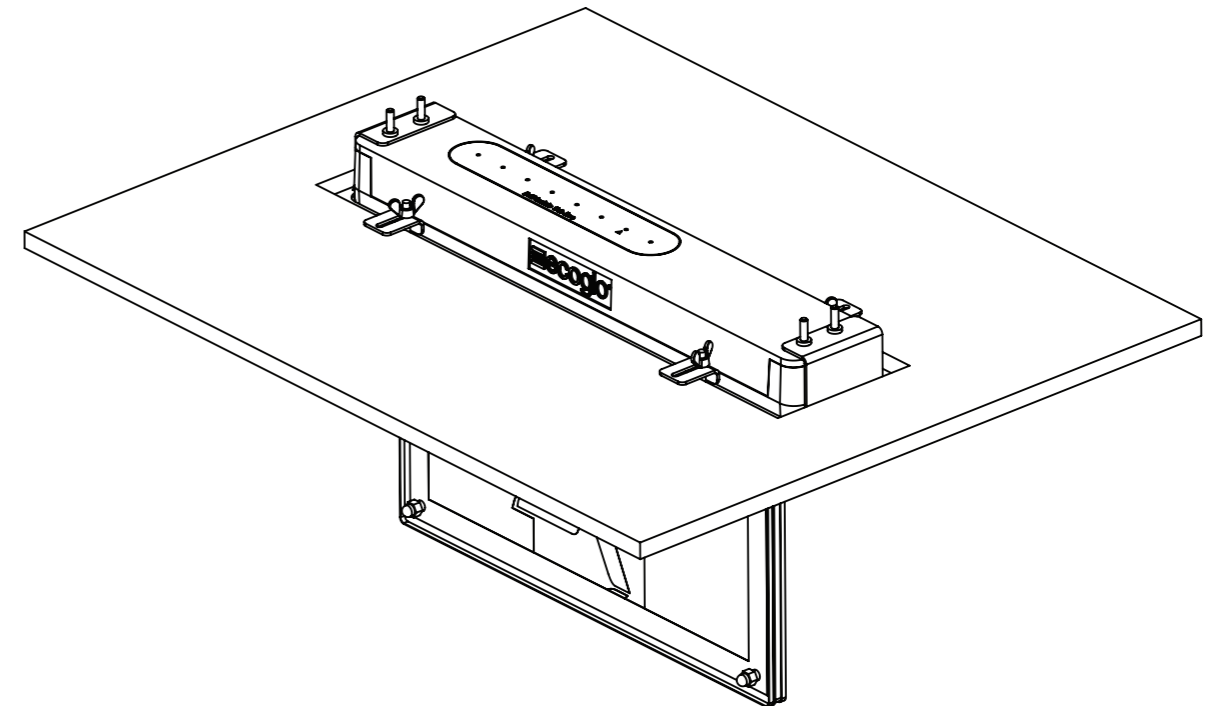
Note: Only manual screwdrivers should be used.



Installation Instructions For

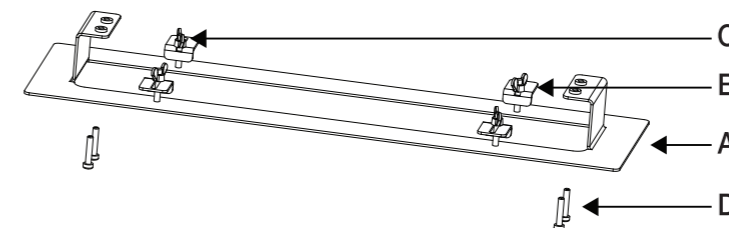
BR3-CR Bracket

Ceiling Recess Mounted HYUX.2



Check all Parts are Present

Please contact Ecoglo if parts are missing or damaged.



PART	DESCRIPTION	QTY
A	Recess Bracket	1
B	Clamp Bracket	4
C	M4 Wingnut	4
D	M4x10 Screw	4

Ecoglo Australia

Email: info@ecoglo.com
Ph: +61 3 8691 5288
www.ecoglo.com.au

Ecoglo New Zealand

Email: info@ecoglo.com
Ph: +64 3 348 3781
www.ecoglo.co.nz

CUT OUT TEMPLATE

MAXIMUM CEILING THICKNESS = 18mm

Scale 1:1

CHECK CLEARANCE AROUND CLAMPING BRACKETS



CHECK CLEARANCE AROUND CLAMPING BRACKETS